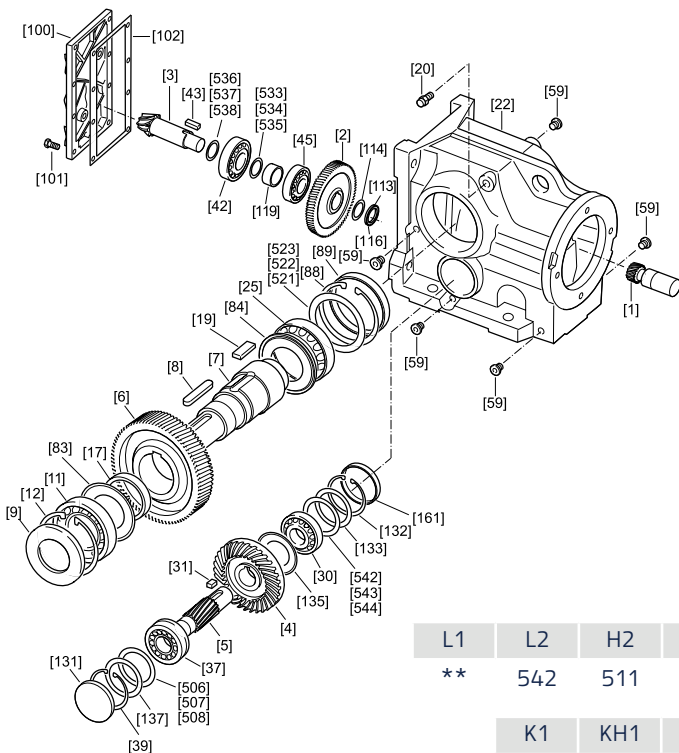


دیتاشیت و مشخصات فنی گیربکس بول هلیکال شریف

اجزاء سازنده

Components

No.	Name
[1]	Pinion
[2]	Gear
[3]	Pinion shaft
[4]	Gear
[5]	Pinion shaft
[6]	Gear
[7]	Output shaft
[8]	Key
[9]	Oil seal
[11]	Rolling bearing
[12]	Retaining ring
[17]	Spacer tube
[19]	Key
[20]	Breather valve
[22]	Gear unit housing
[25]	Rolling bearing
[30]	Rolling bearing
[31]	Key
[37]	Rolling bearing
[39]	Retaining ring
[42]	Rolling bearing
[43]	Key
[45]	Rolling bearing
[59]	Screw plug
[83]	Shield ring
[84]	Shield ring
[88]	Retaining ring
[89]	Closing cap
[100]	Inspection cover
[101]	Hex head screw
[102]	Gasket
[113]	Slotted nut
[114]	Multi-tang washer
[116]	Thread lock



No.	Name
[119]	Spacer tube
[131]	Closing cap
[132]	Retaining ring
[133]	Supporting ring
[135]	Shield ring
[137]	Supporting ring
[161]	Closing cap
[506]-[544]	Shim

نقشه انفجاری

Exploded view drawing

K107



مشخصات عمومی

General information

فولاد	جنس دنده
Steel	Gear material
چدن	جنس پوسته
Iron	Shell material
90 (mm)	قطر شافت یا هالو شافت خروجی Output shaft or hollow shaft diameter
95 (mm)	قطر هالو شافت در صورت استفاده از شیرینگ دیسک The diameter of the hollow shaft with shrink disk

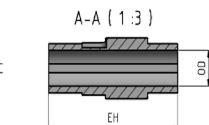
ابعاد و اندازه

Dimensions and size

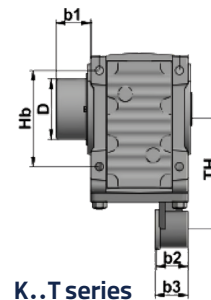
L1	L2	H2	Ch	CL	W	Wb	Hb	OL	Lb	Od	K	Kh	OD	EH
**	542	511	315	200	340	270	360	170	280	90	25	81	90	355
K1	KH1	OD2	EH2	Hb	D	b1	b2	b3	TH	d2	d3	b		
25	95.4	95	409	360	230	79	92	100	452	350	450	41		



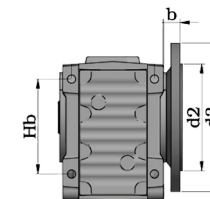
KA series



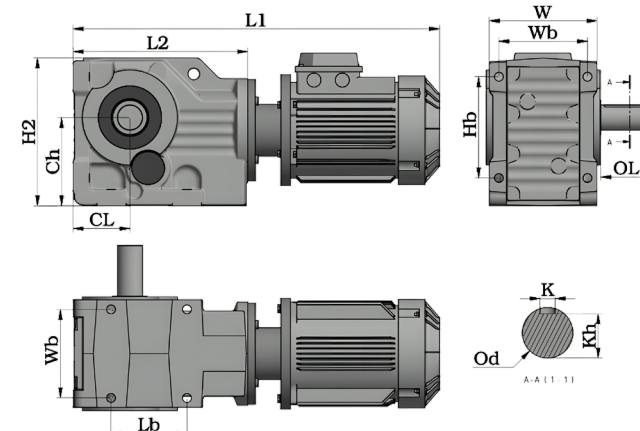
KH series



K..T series



KF series



Power		Speed	Pole	n2	Ratio	T	Fs
(kw)	(hp)	(rpm)	Num	(rpm)		(N.m)	
3	4	1500	4P	7	195.82	3001	1.8
3	4	1500	4P	10	140.53	2101	2.33
3	4	1500	4P	16	90.51	1313	3.7
3	4	1000	6P	5	179.04	4202	1.35
3	4	1000	6P	8	113.58	2626	1.58
3	4	1000	6P	10	90.51	2101	2.45
3	4	1000	6P	12	78.67	2388	2.9
4	5.5	1500	4P	7	195.82	5457	1.31
4	5.5	1500	4P	10	140.53	3820	1.69
4	5.5	1500	4P	16	90.51	2388	2.69
4	5.5	1000	6P	12	78.67	3183	2.1
5.5	7.5	1000	6P	12	78.67	4377	1.55
5.5	7.5	1500	4P	8	179.04	6566	1
5.5	7.5	1500	4P	10	140.53	5253	1.24
5.5	7.5	1500	4P	17	86.04	3090	2
5.5	7.5	1500	4P	24	61.75	2189	3.3
7.5	10	1000	6P	11	82.76	4775	1.11
7.5	10	1000	6P	15	61.75	4775	1.63
7.5	10	1500	4P	17	86.04	4213	1.56
7.5	10	1500	4P	23	61.75	3114	2.48
7.5	10	1500	4P	29	49.91	2470	3
11	15	1000	6P	15	61.75	4775	1
11	15	1000	6P	19	49.91	5529	1.33
11	15	1000	6P	26	36.36	4040	1.6
11	15	1500	4P	18	86.04	5836	1.17

Power		Speed	Pole	n2	Ratio	T	Fs
(kw)	(hp)	(rpm)	Num	(rpm)		(N.m)	
11	15	1500	4P	24	61.75	4377	1.65
11	15	1500	4P	29	49.91	3622	2
11	15	1500	4P	36	39.77	2918	2.13
11	15	1500	4P	40	36.36	2626	2.42
15	20	1000	6P	19	49.91	5529	1
15	20	1500	4P	24	61.75	5969	1.24
15	20	1500	4P	29	49.91	4940	1.5
15	20	1500	4P	36	39.77	3979	1.6
15	20	1500	4P	40	36.36	3581	1.82
15	20	1500	4P	50	28.54	2865	2.57
15	20	1500	4P	63	23.07	2274	3.25
18.5	25	1500	4P	29	49.91	6092	1.2
18.5	25	1500	4P	36	39.77	4908	1.28
18.5	25	1500	4P	40	36.36	4417	1.45
18.5	25	1500	4P	50	28.54	3534	2
18.5	25	1500	4P	63	23.07	2804	2.6
18.5	25	1500	4P	69	20.97	2561	2.6
18.5	25	1000	6P	33	28.54	5354	1.35
18.5	25	1000	6P	41	23.07	4309	1.69
22	30	1500	4P	29	49.91	6092	1
22	30	1500	4P	36	39.77	4908	1
22	30	1500	4P	40	36.36	5253	1.2
22	30	1500	4P	50	28.54	4202	1.71
22	30	1500	4P	63	23.07	3335	2.16
22	30	1500	4P	75	19.18	2801	2.19

Power		Speed	Pole	n2	Ratio	T	Fs
(kw)	(hp)	(rpm)	Num	(rpm)		(N.m)	
22	30	1500	4P	96	15.05	2189	3.12
22	30	1500	4P	120	12.16	1751	3.95
22	30	1000	6P	33	28.54	6367	1.13
22	30	1000	6P	41	23.07	5124	1.41
22	30	1000	6P	50	19.18	4202	1.45
30	40	1500	4P	50	28.54	5730	1.28
30	40	1500	4P	63	23.07	4548	1.62
30	40	1500	4P	75	19.18	3820	1.64
30	40	1500	4P	96	15.05	2984	2.34
30	40	1500	4P	120	12.16	2388	2.96
37	50	1500	4P	51	28.54	5618	1
37	50	1500	4P	63	23.07	5609	1.3
37	50	1500	4P	75	19.18	4711	1.31
37	50	1500	4P	96	15.05	3681	1.87
37	50	1500	4P	120	12.16	2945	2.37
45	60	1500	4P	63	23.07	5609	1.08
45	60	1500	4P	75	19.18	4711	1.1
45	60	1500	4P	96	15.05	4477	1.56
45	60	1500	4P	120	12.16	3581	1.97